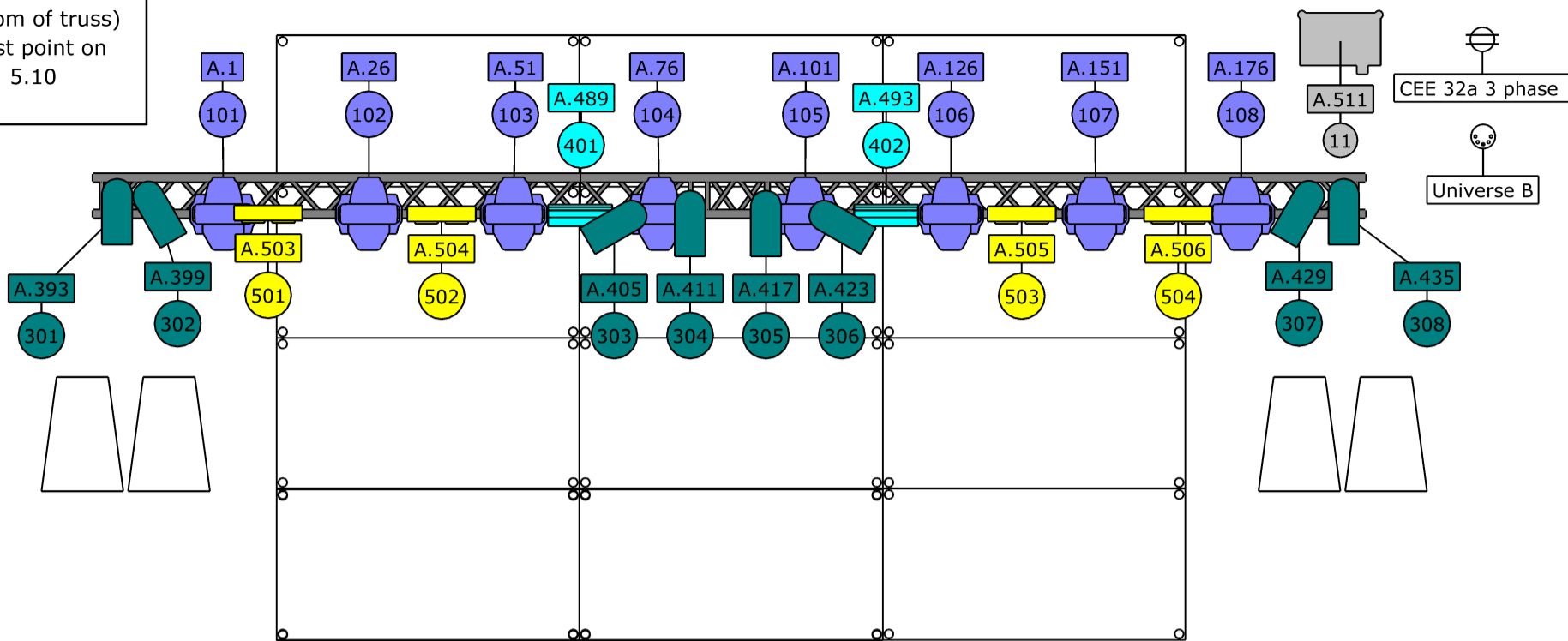
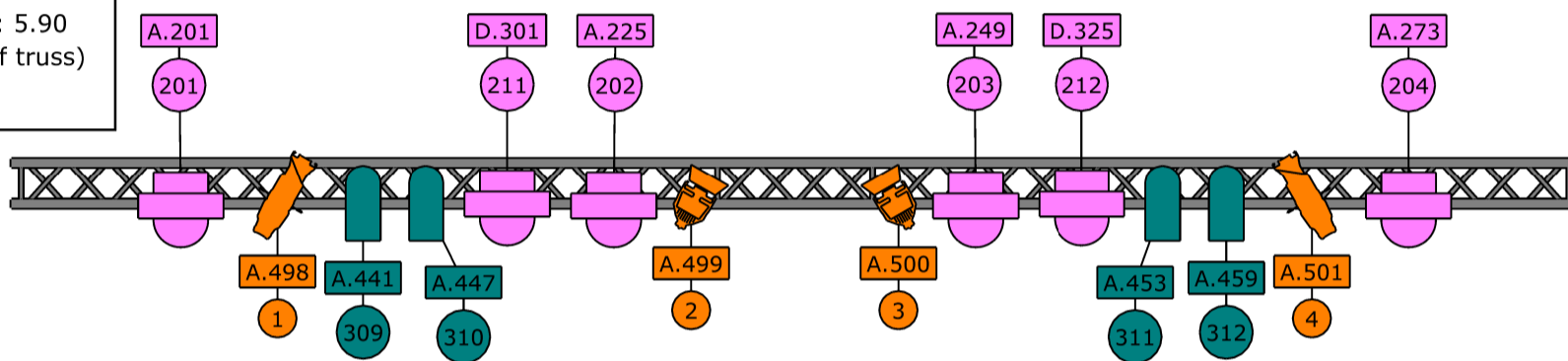


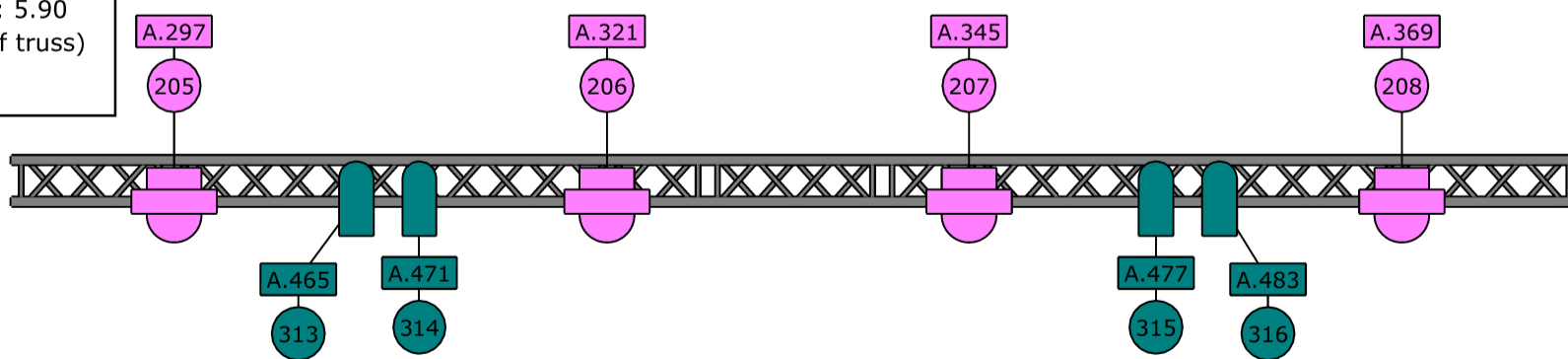
Stage truss  
 No extra weight  
 Max trim: 5.90  
 (bottom of truss)  
 Lowest point on  
 truss: 5.10







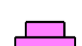


Truss A  
 Max 20 KG extra  
 Max trim : 5.90  
 (bottom of truss)



Truss B  
 Max 120 KG extra  
 Max trim : 5.90  
 (bottom of truss)



Symbol key

-  Pro Beamer RGBW (16)
-  Robin 300E Spot (8)
-  Atomic 3000 (2)
-  Source Four 26° (2)
-  Impression Wash One (10)
-  Stage Blinder 2 DMX (4)
-  Source Four PARNel (2)
-  Tour-Hazer II (1)

Project  
 Westerunie

